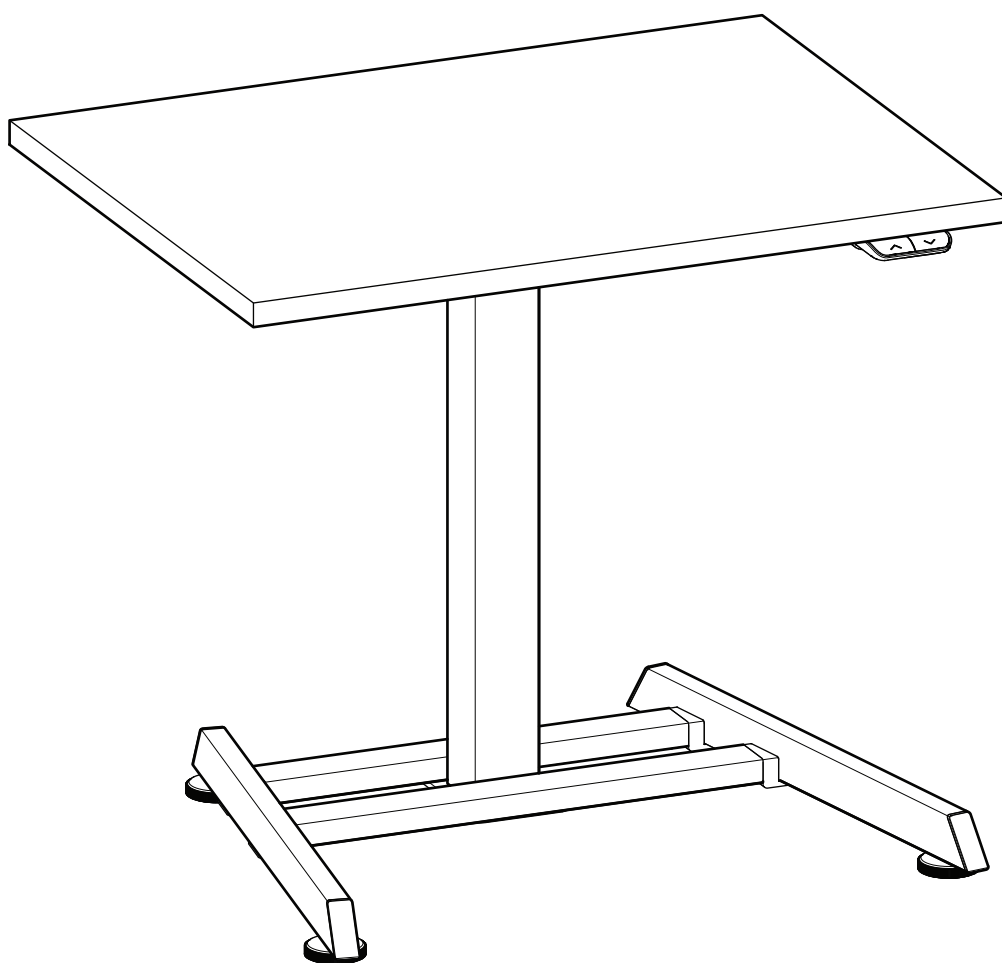


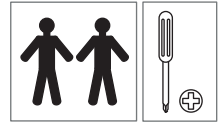
Electric height adjustable desk

Assembly instructions

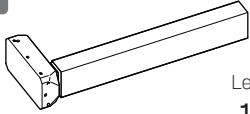
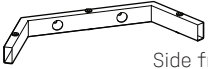

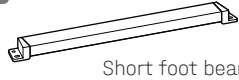

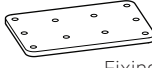
1-leg standing desk



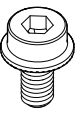
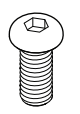
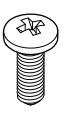

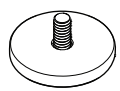

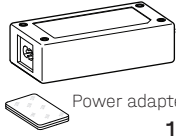
PACKAGE CONTENTS

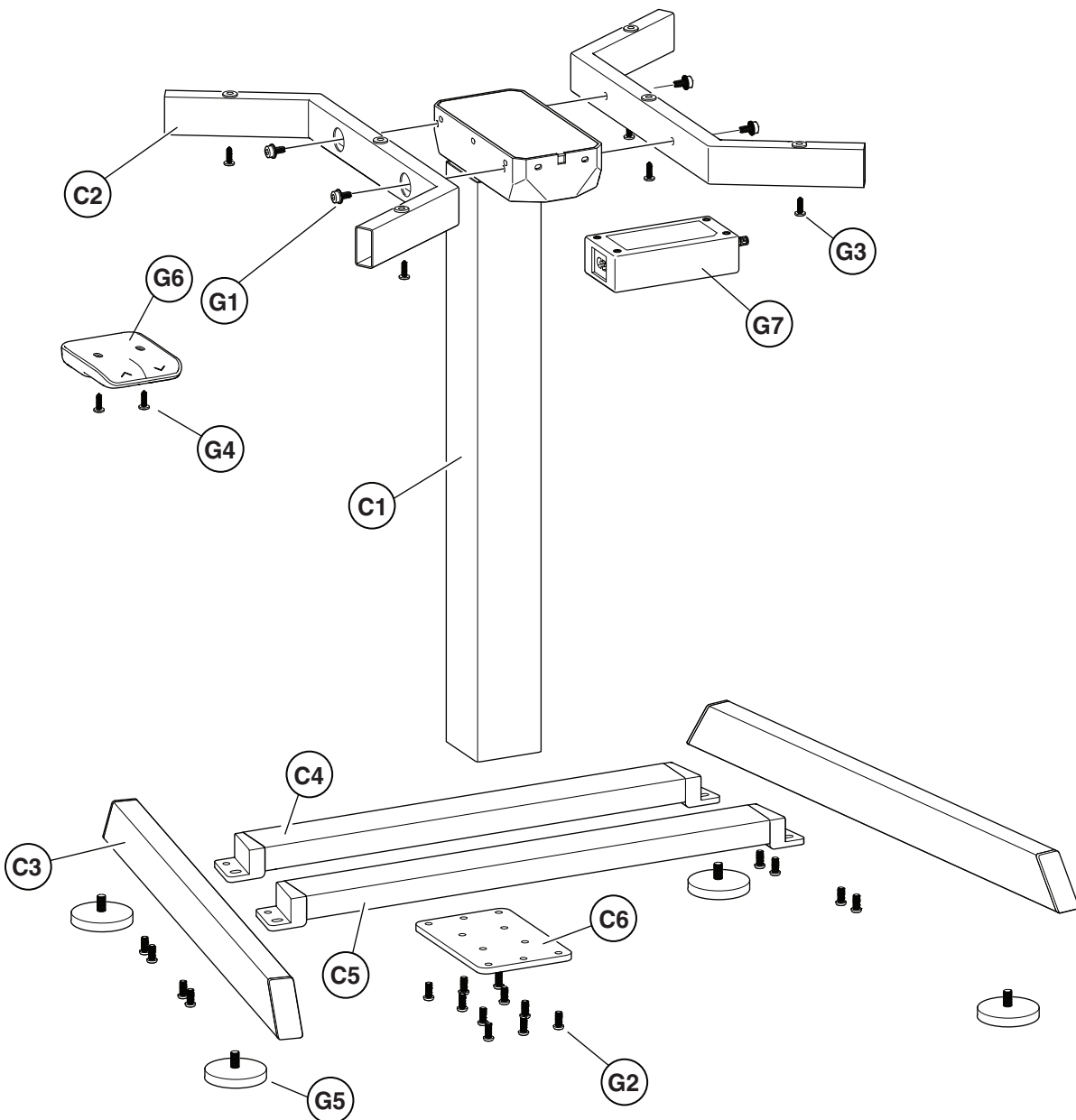


DESK COMPONENTS

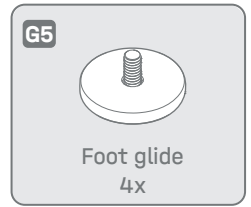
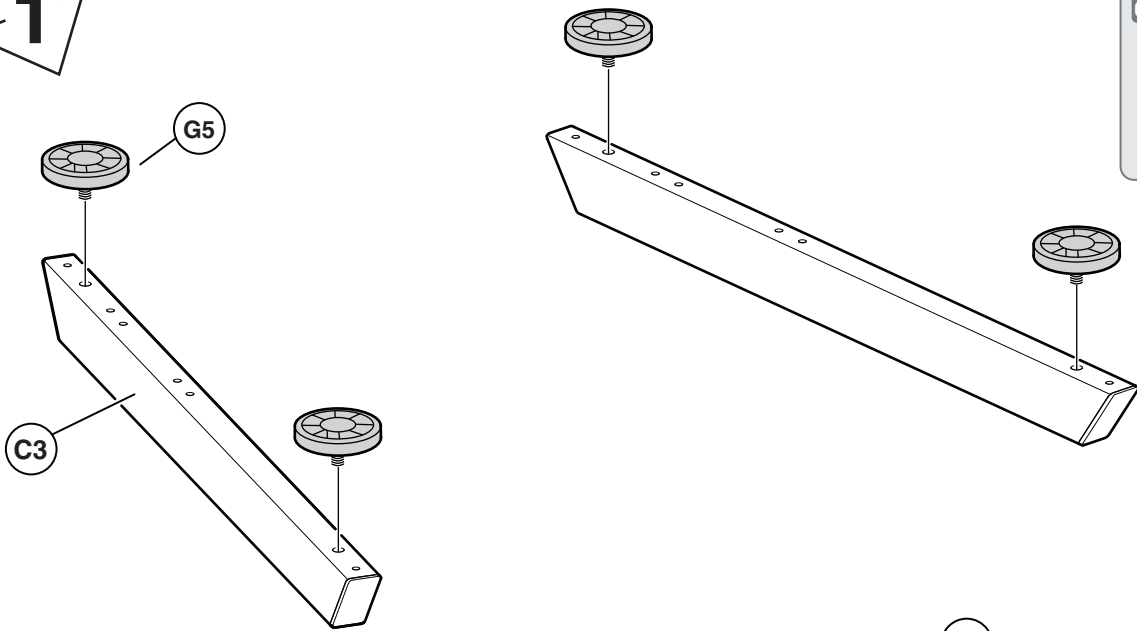
C1  Leg 1x	C2  Side frame 2x	C3  Foot 2x	C4  Short foot beam 1x
C5  Long foot beam 1x	C6  Fixing plate 1x		

HARDWARE

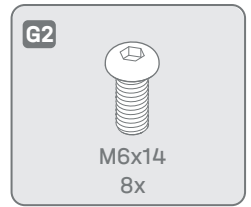
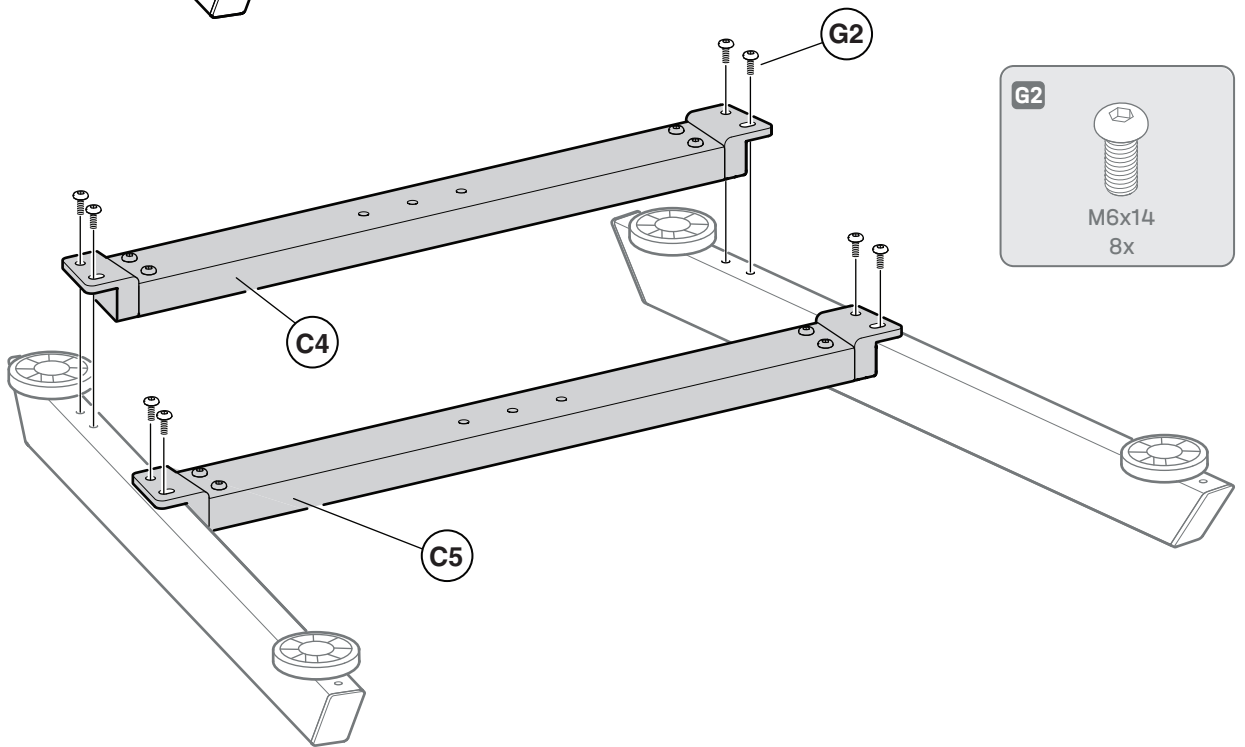
G1  M6x12 4x	G2  M6x14 18x	G3  Tapping screw 5x20 6x	G4  Tapping screw 4,2x16 2x	G5  Foot glide 4x	G6  Handset 1x	G7  Power adapter 1x
---	--	--	--	---	---	---



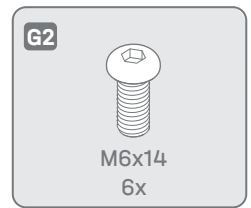
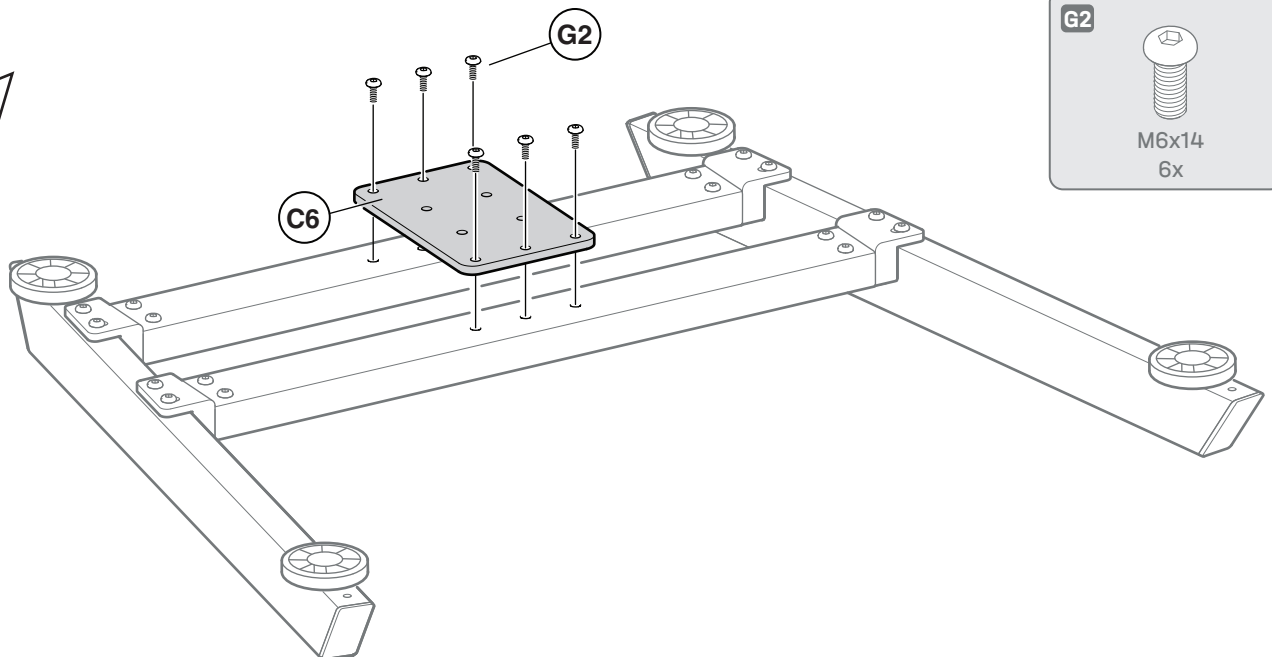
1



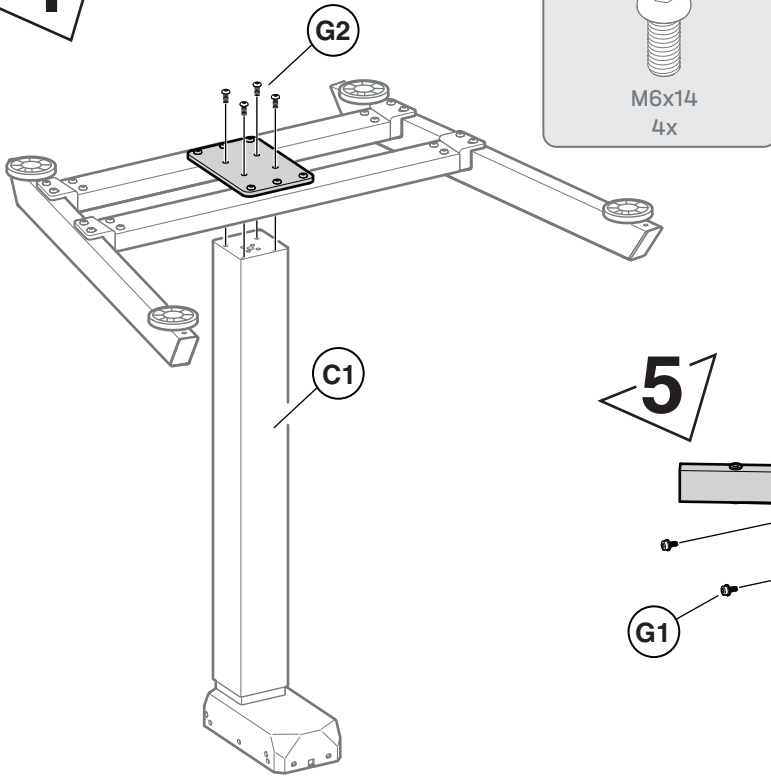
2



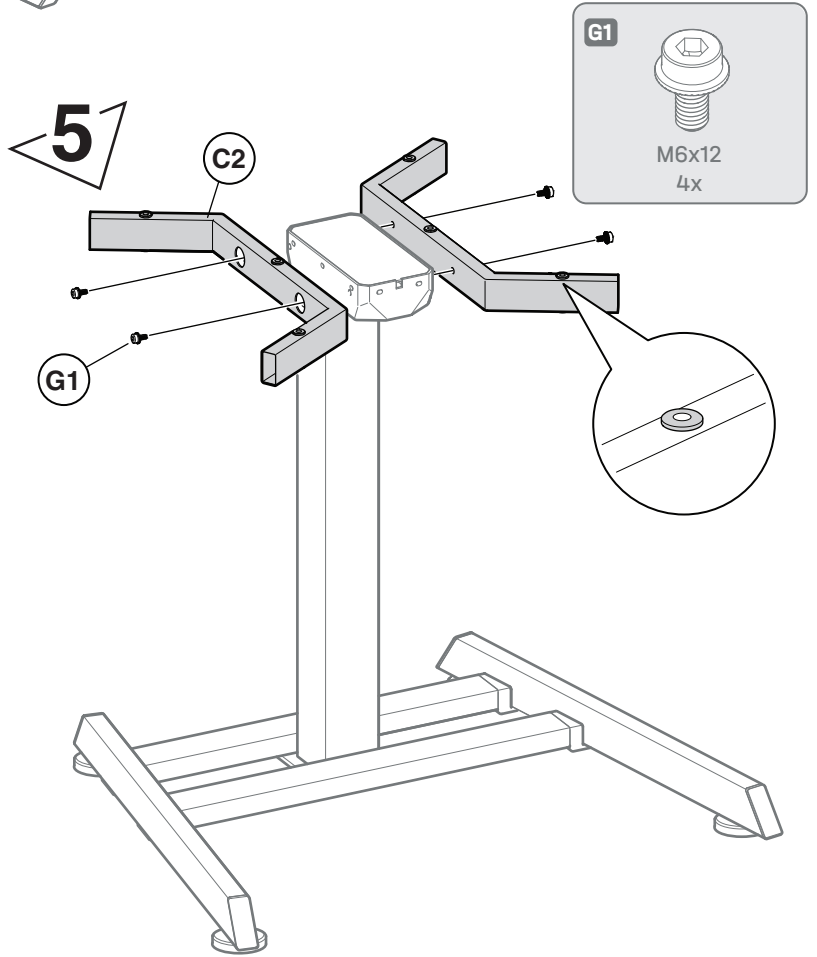
3



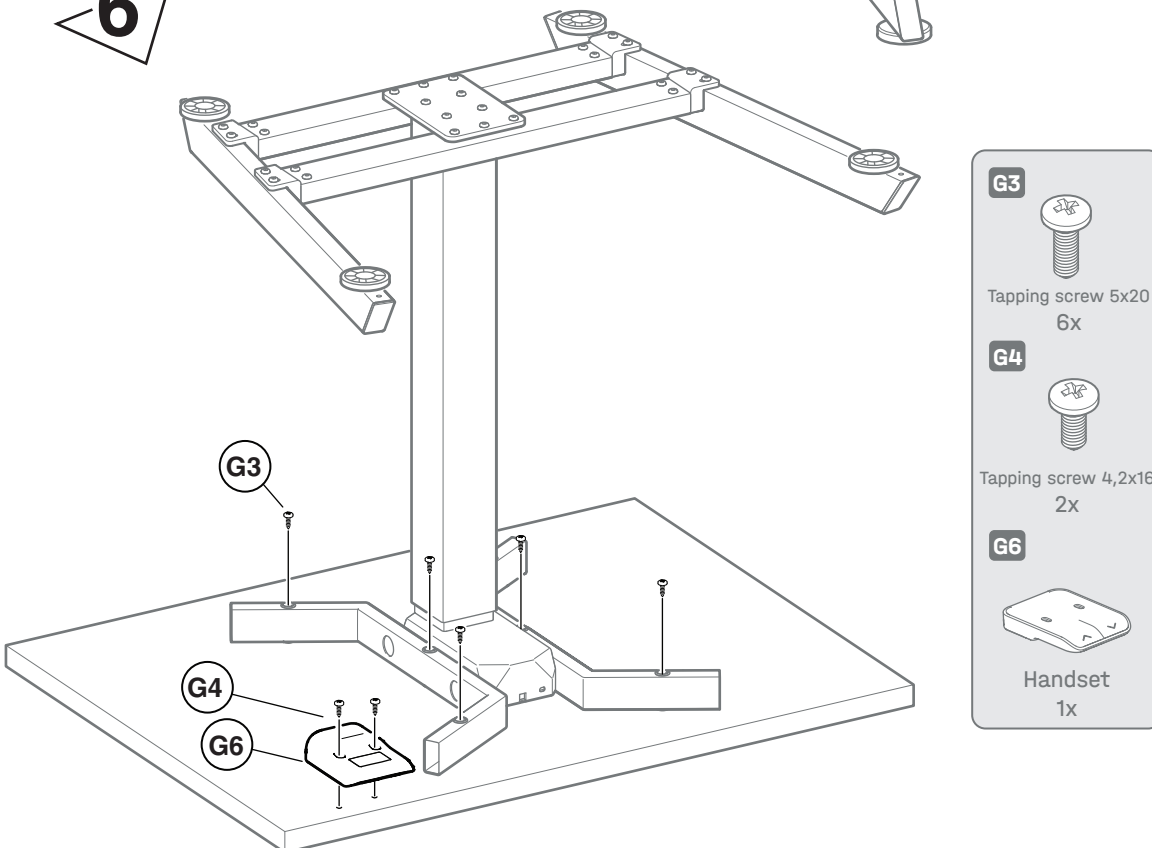
4



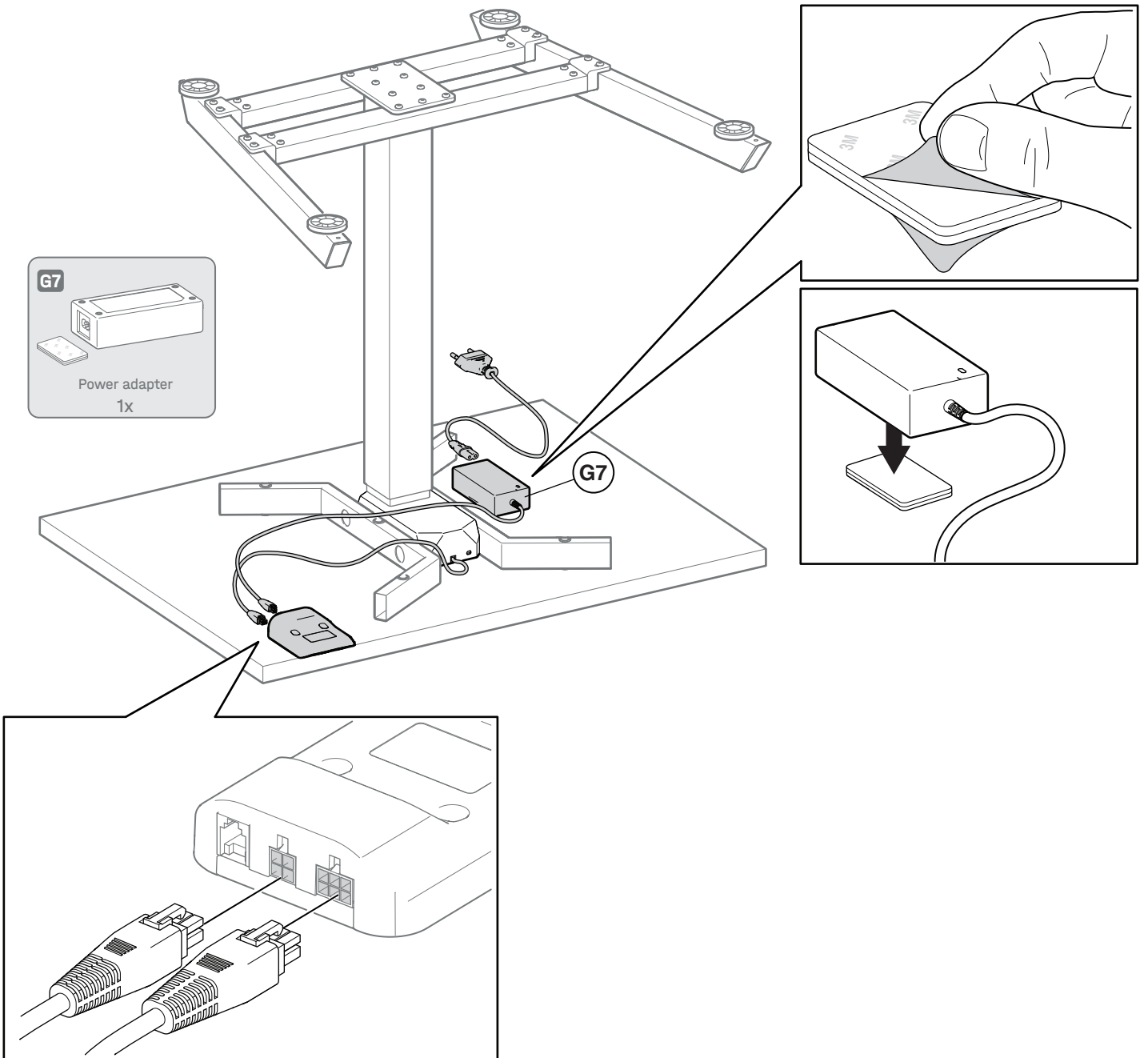
5



6



7



Assembly instructions - 1 leg desk

English

Step 1

1. Place the feet on a flat surface, and fix the plastic feet glides (G5).

Step 2

1. Place the shorter foot beam (C4) towards the back end, near the plastic feet glides. Secure it with four M6×14 screws (G2).
2. Place the longer foot beam (C5) on the remaining mounting holes. Secure it with four M6×14 screws (G2).

Step 3

1. Install the fixing plate by using six M6×14 screws (G2). For easier installation, attach all six screws loosely before tighten each one.

Step 4

1. Place the leg upside-down in a standing position. Attach the remaining four M6×14 screws (G2) to the leg.

Step 5

1. Attach the side frames to the leg by using four M6×12 screws (G1). Make sure that the rubber spacers are facing upwards towards the table top you will install in the next step.

Step 6

1. Place your table top on a flat surface. Place your frame assembly on top of it, adjust so the overhang is even on all sides.
2. Secure the tabletop to the frame, using the included tapping screws 5×20mm (G3).
3. Use two tapping screws 4×16mm (G4) to fix the handset (G6).

Step 7

1. Use the double sided velcro pad to fix the power adapter to desired position.
2. Connect the leg cable (yellow contact) to the backside of the handset.
3. Connect the power adapter (G7) to the port next to the leg cable on the handset.
4. Plug the power cord to the power adapter. Plug your desk into a electrical outlet.

Note! Before using your desk, a desk reset is required. See chapter 1 in your user manual for the handset.