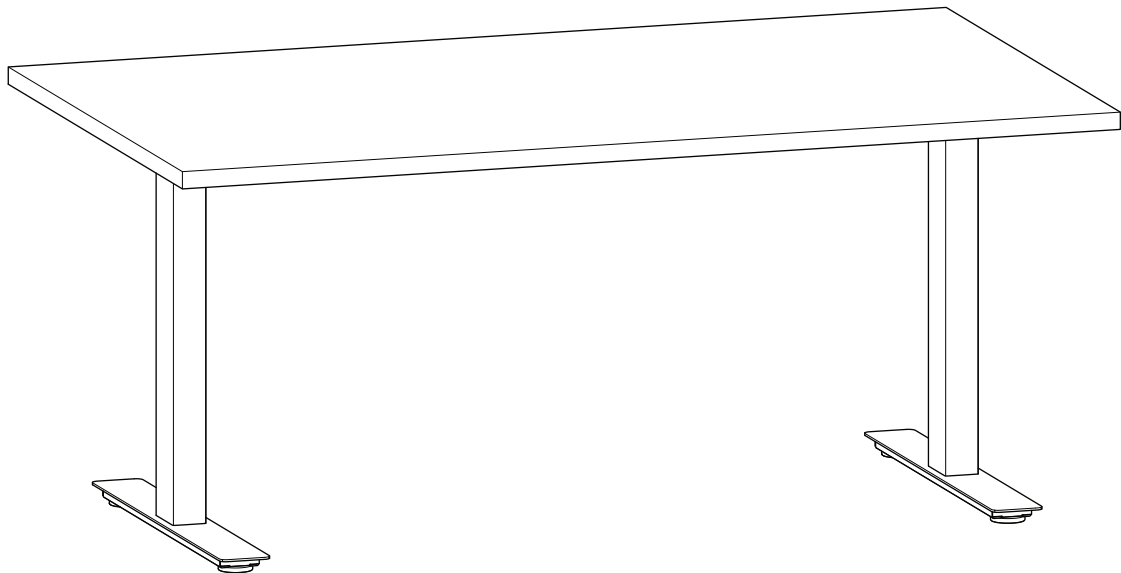


# Electric height adjustable desk

## Assembly instructions

### 2-leg standing desk

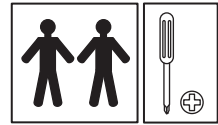
### 2-leg standing meeting table



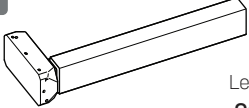
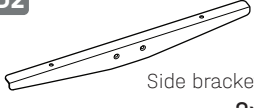
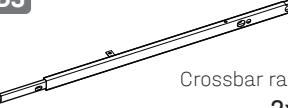
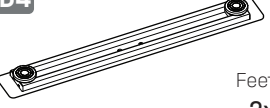
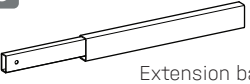
**NOTICE!**

If you're building a desk with 3 legs, please follow the instructions that are included in the 3rd Leg Box.

# PACKAGE CONTENTS

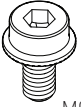
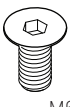
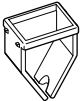

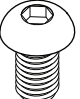

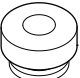
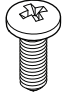
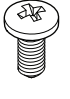
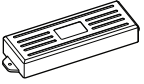
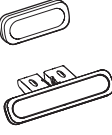
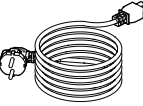
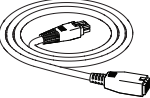
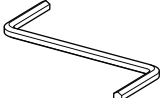


## DESK COMPONENTS

<b>D1</b>  Leg 2x	<b>D2</b>  Side bracket 2x	<b>D3</b>  Crossbar rail 2x	<b>D4</b>  Feet 2x
<b>D5*</b>  Extension bar* 2x			

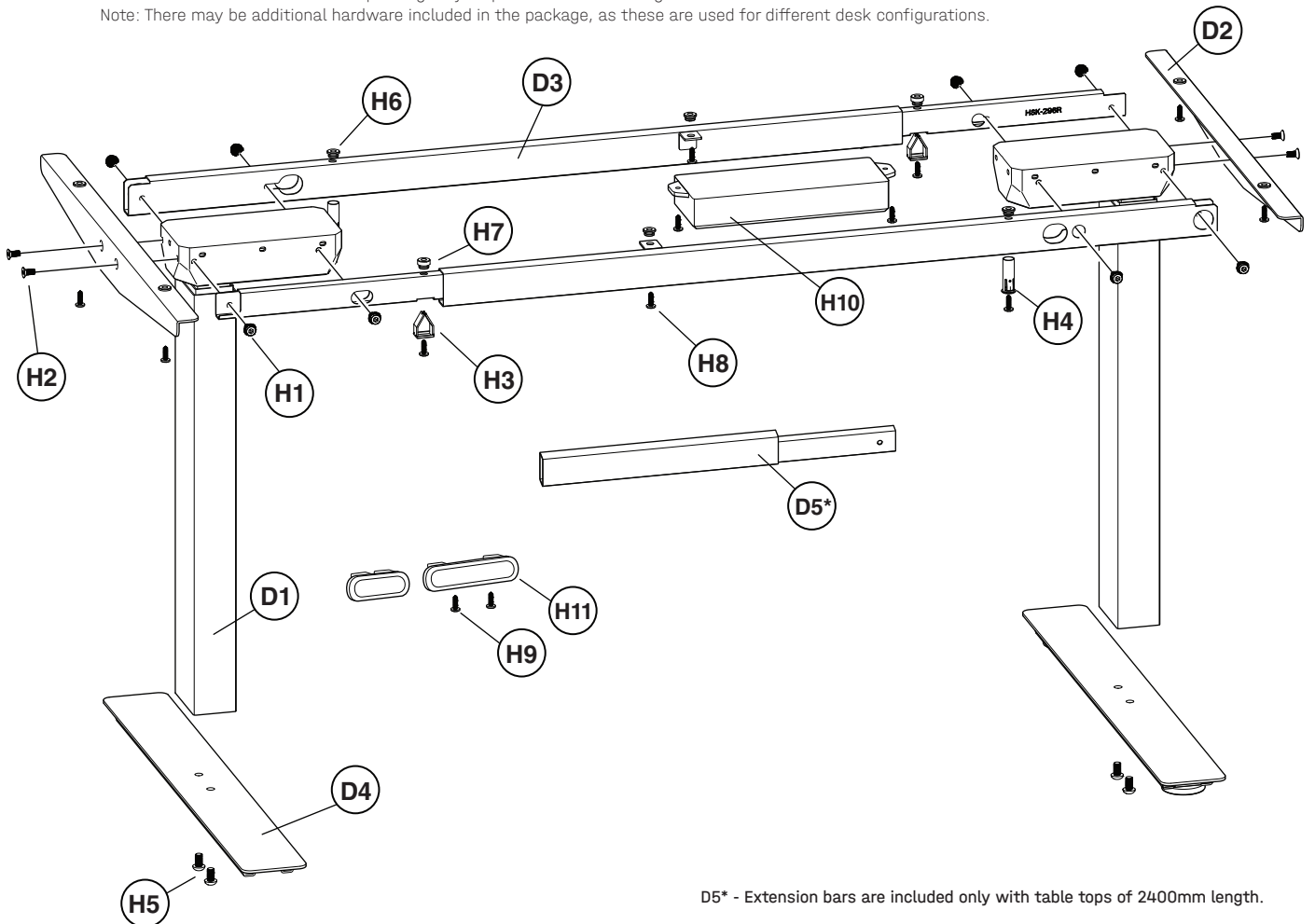
\* Extension bars are included only with table tops of 2400mm length.

## HARDWARE

<b>H1</b>  M6x12 8x	<b>H2</b>  M6x10 4x	<b>H3</b>  Screw clamp 2x	<b>H4</b>  Screw guide bush 2x	<b>H5</b>  M8x14 4x	<b>H6</b>  2mm rubber 4x	<b>H7</b>  5mm rubber 2x
<b>H8</b>  Tapping screw 5x20 12x	<b>H9</b>  Tapping screw 5x16 2x	<b>H10</b>  Control box 1x	<b>H11</b>  Handset* 1x	<b>H12</b>  Power cable 1x	<b>H13</b>  Leg cable 1x	<b>T1</b>  Hex key 1x

\* The handset can look different depending on your purchased desk configuration.





Note: There may be additional hardware included in the package, as these are used for different desk configurations.

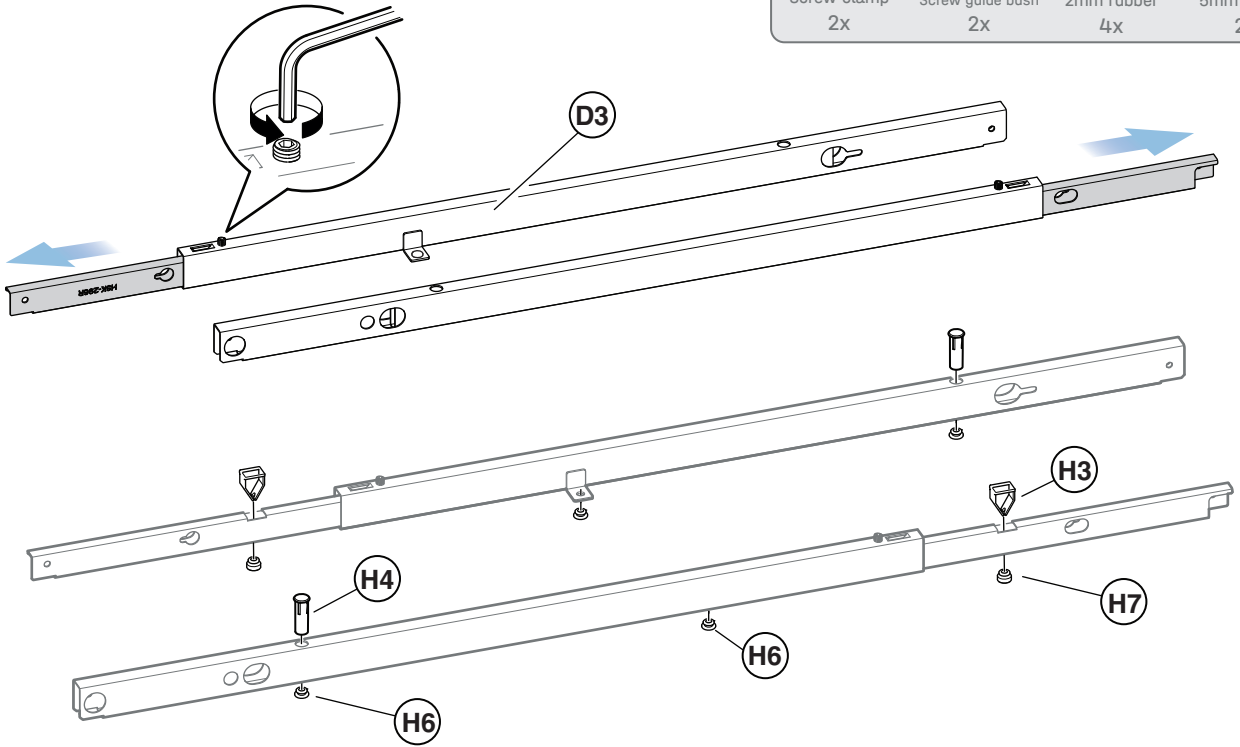


D5\* - Extension bars are included only with table tops of 2400mm length.

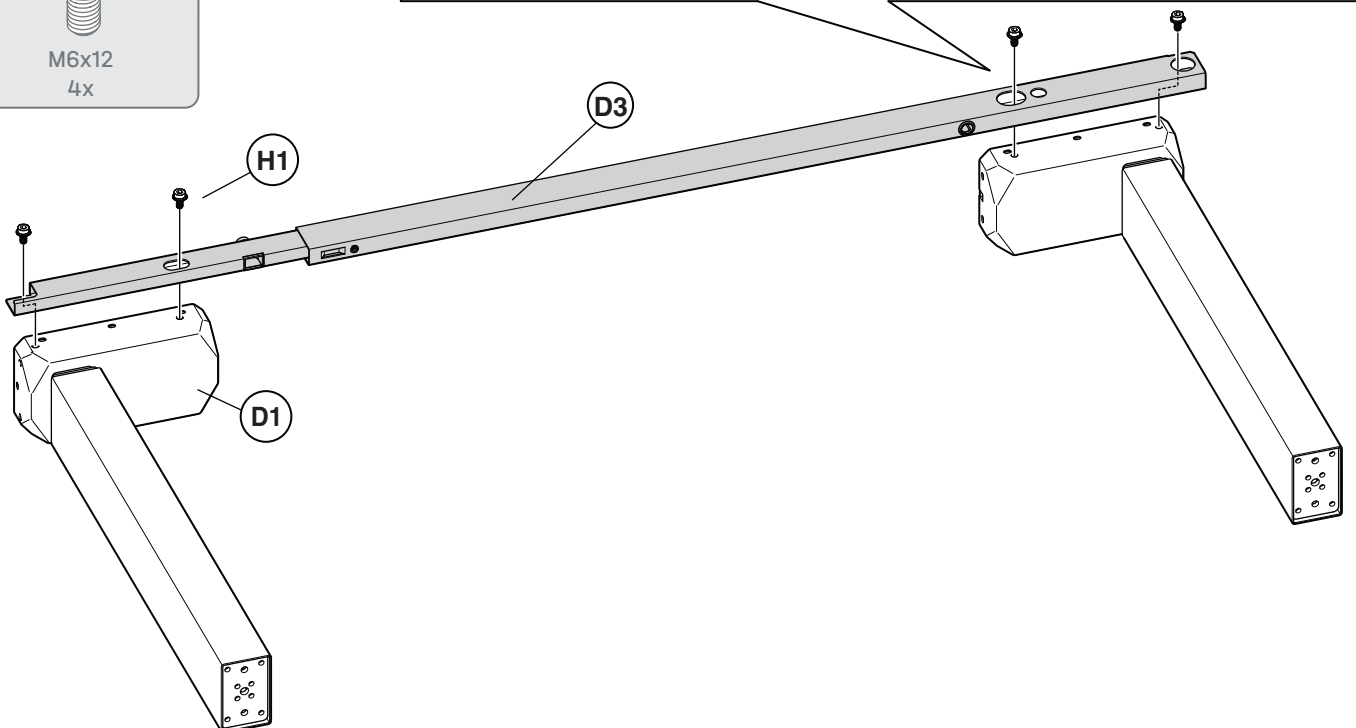
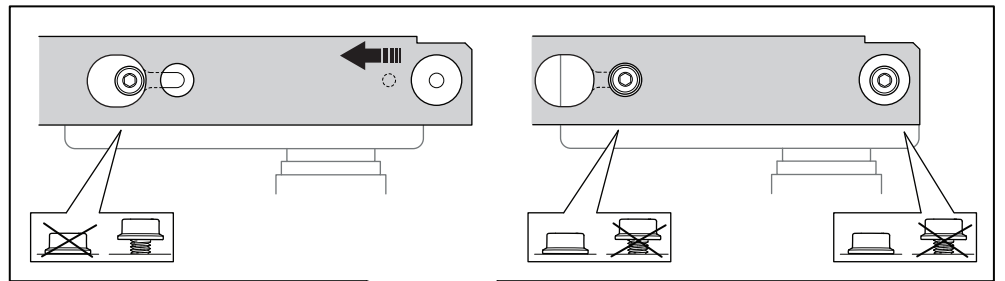
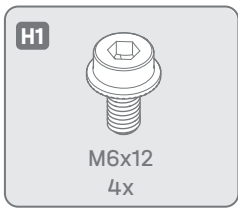
# ASSEMBLY INSTRUCTIONS

1

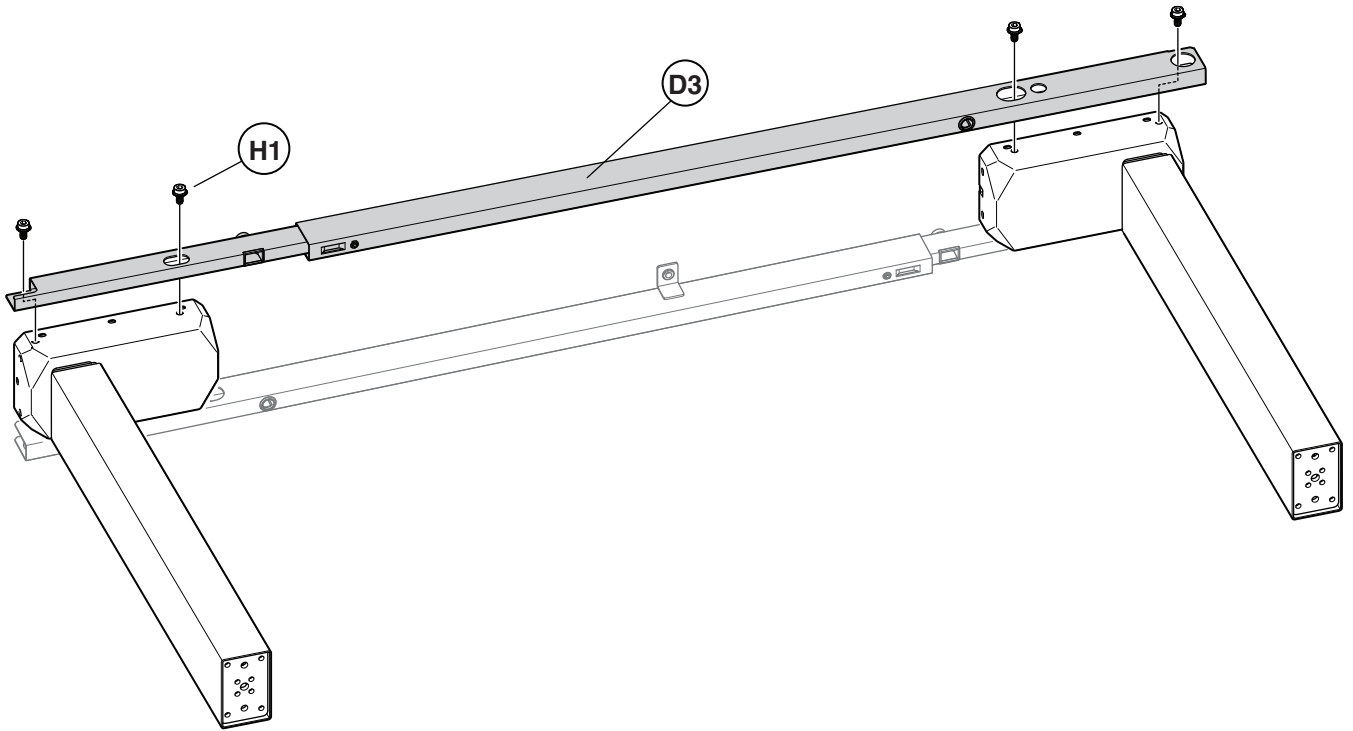
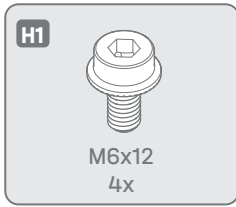
H3	H4	H6	H7
			
Screw clamp 2x	Screw guide bush 2x	2mm rubber 4x	5mm rubber 2x



2

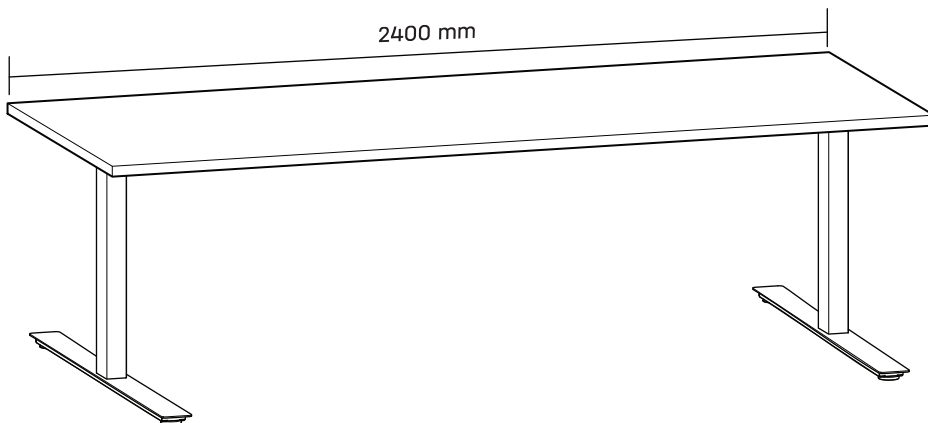


3



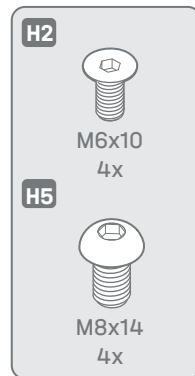
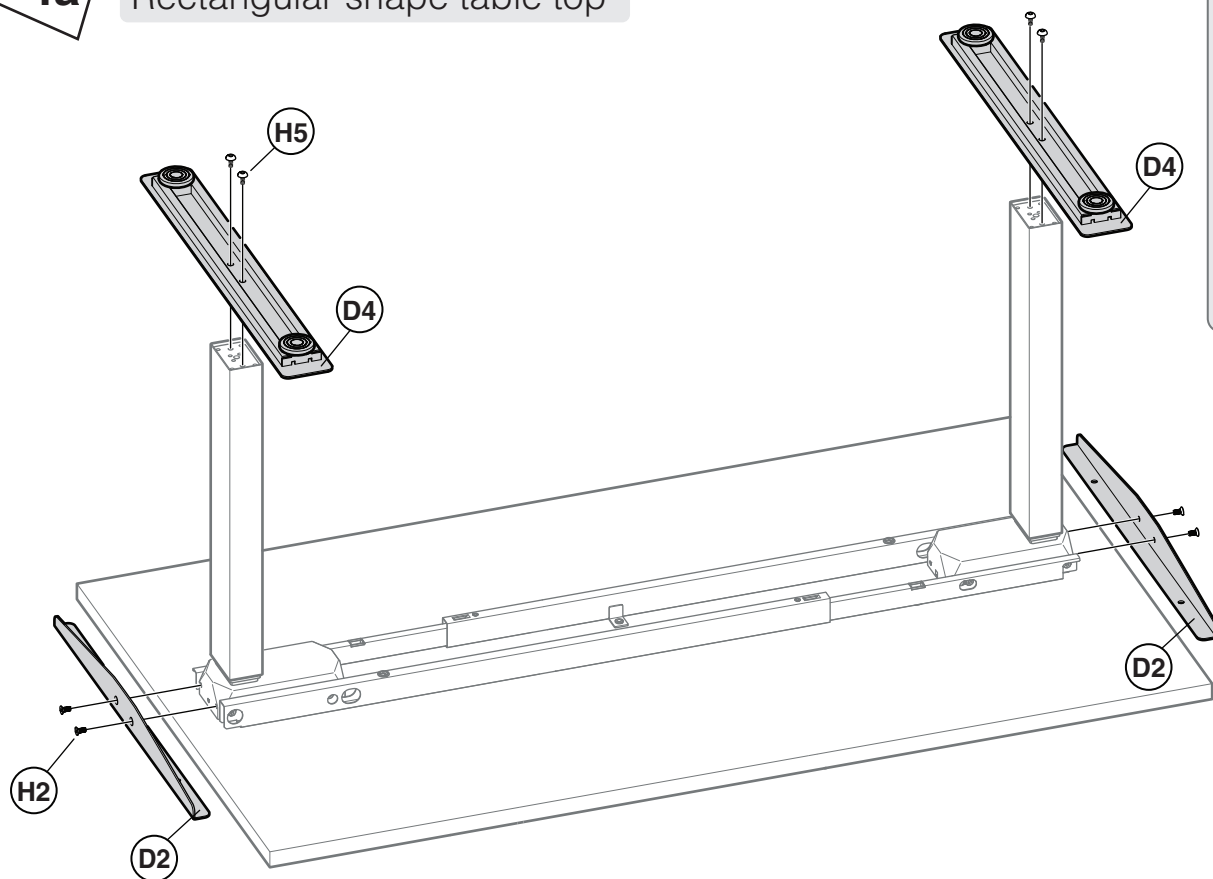
4

**NOTICE!**  
If you're building a table with length **2400 mm**, please proceed to page **10**.



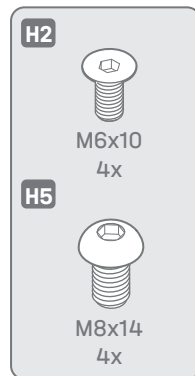
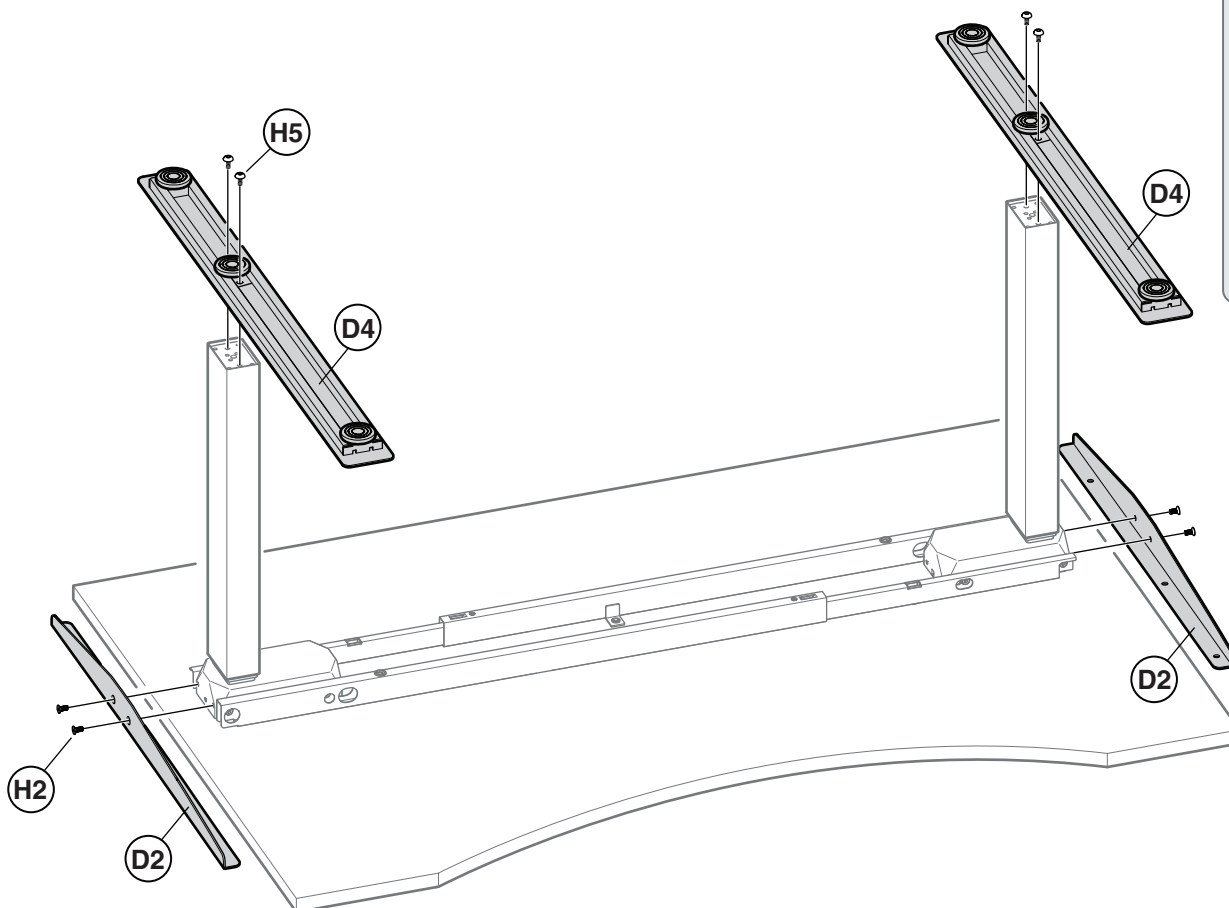
4a

Rectangular shape table top



4b

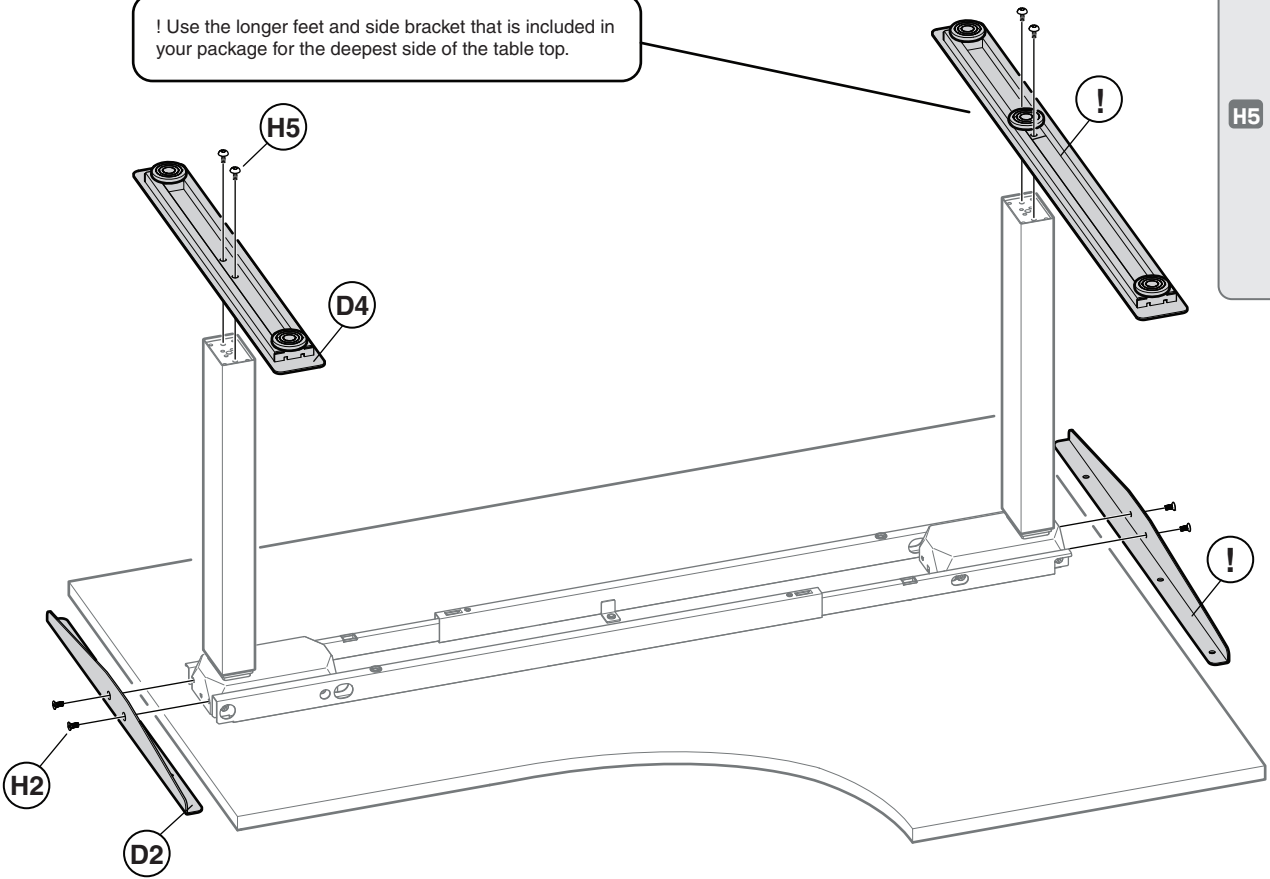
Wave shape table top




# 4c

## L-shape table top

! Use the longer feet and side bracket that is included in your package for the deepest side of the table top.




**H2**



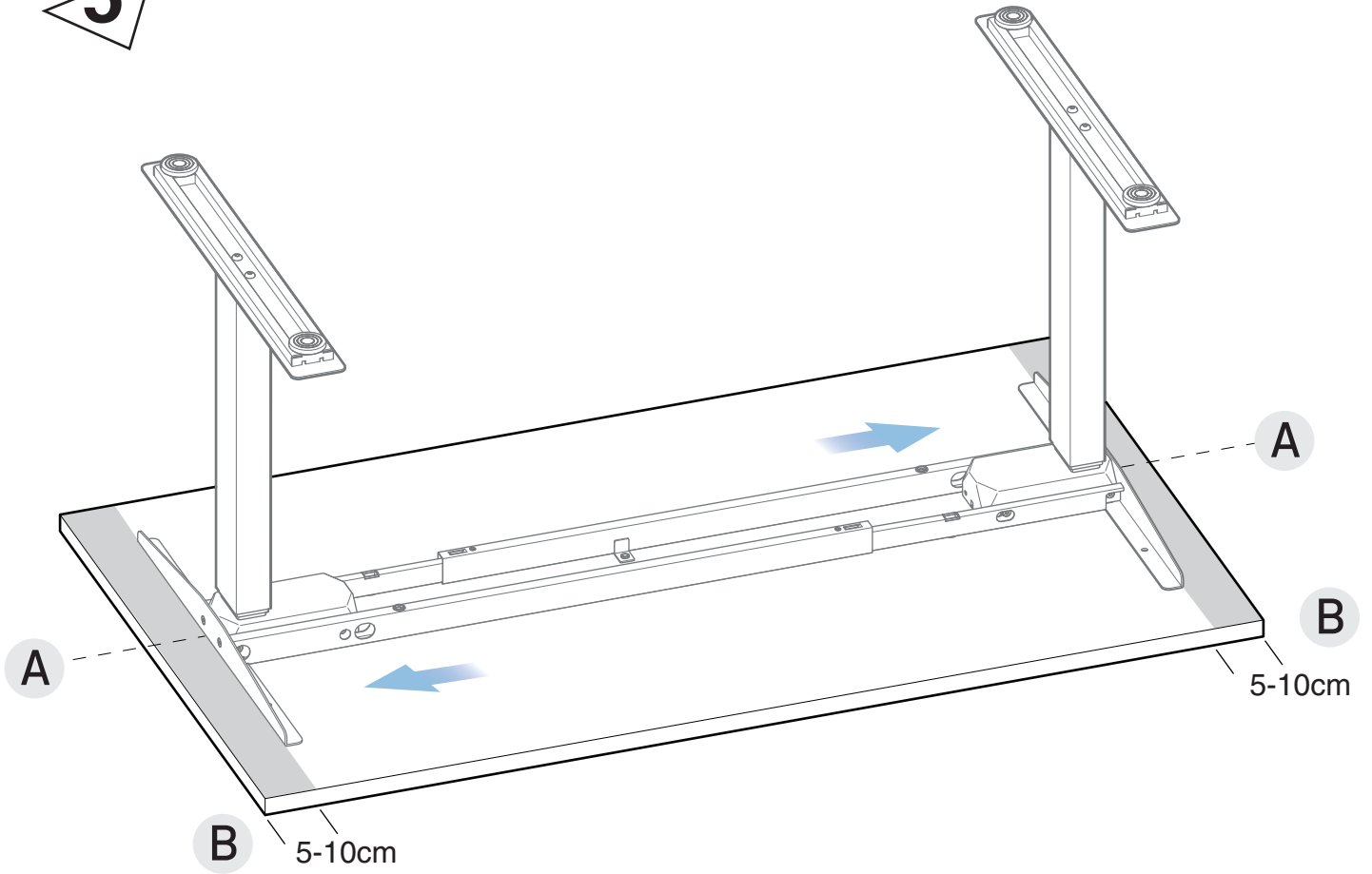
M6x10  
4x

**H5**

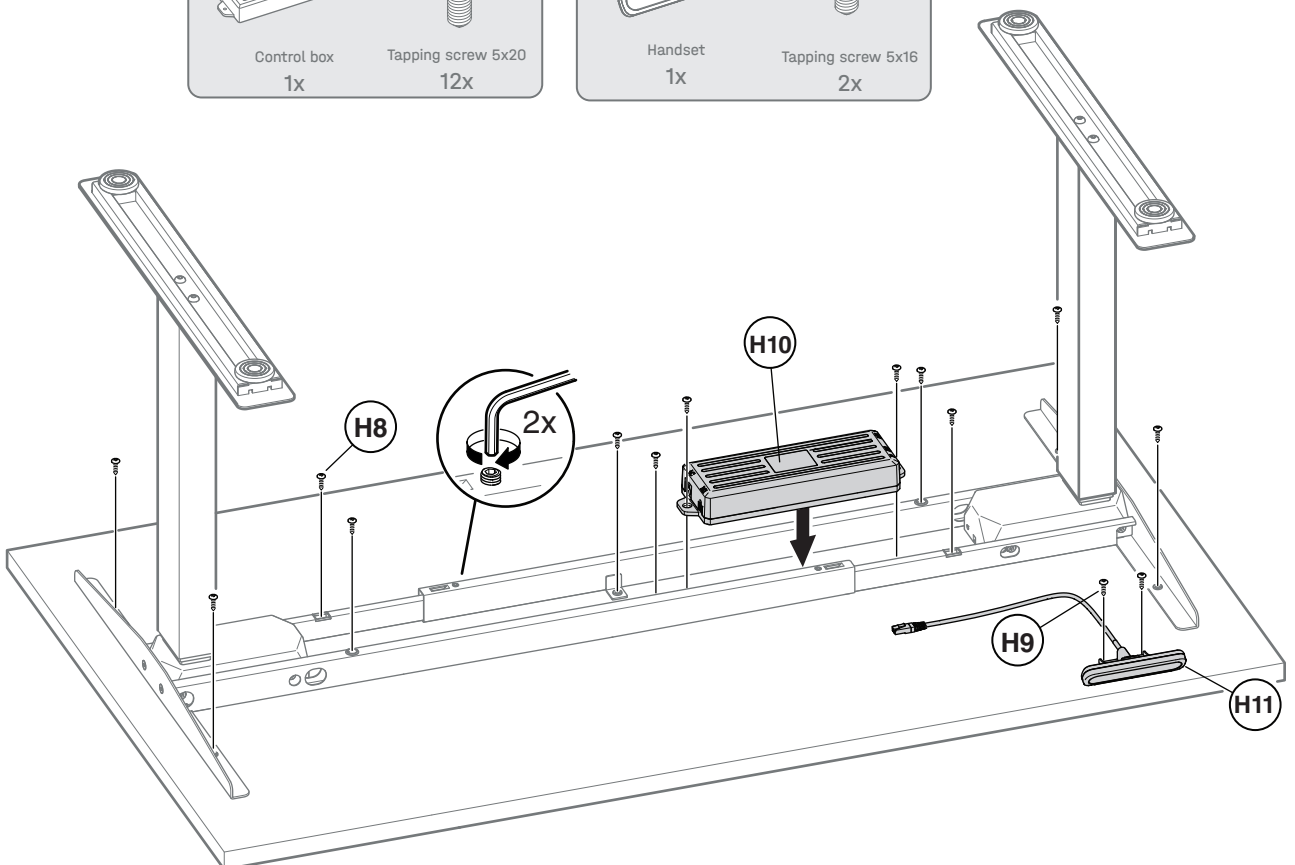
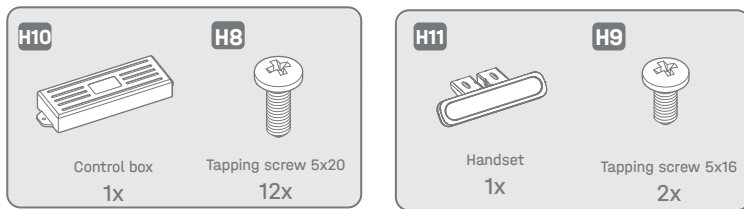


M8x14  
4x

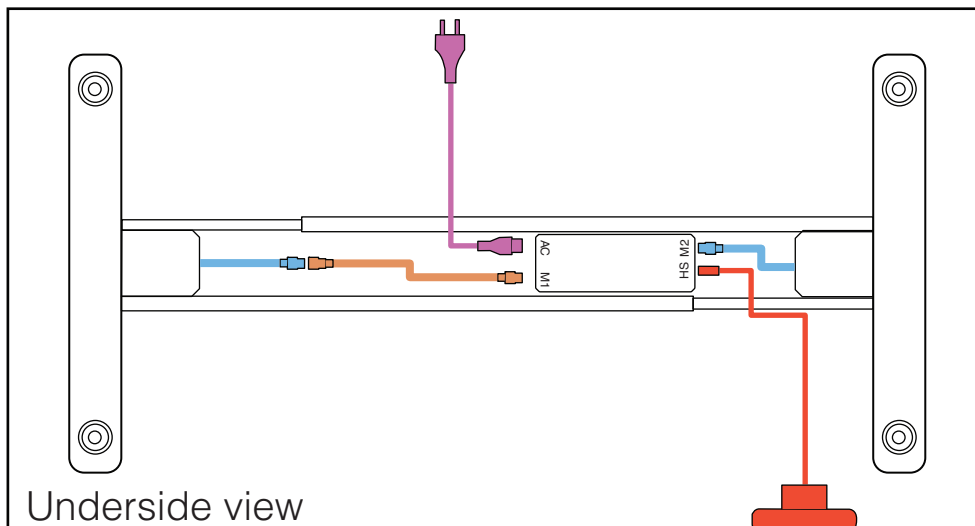
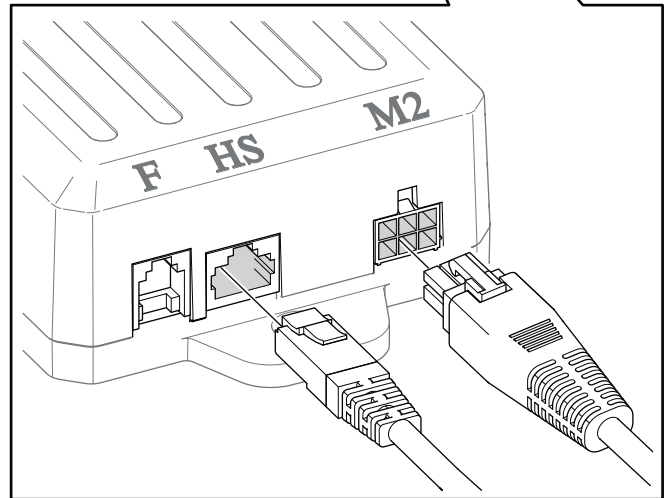
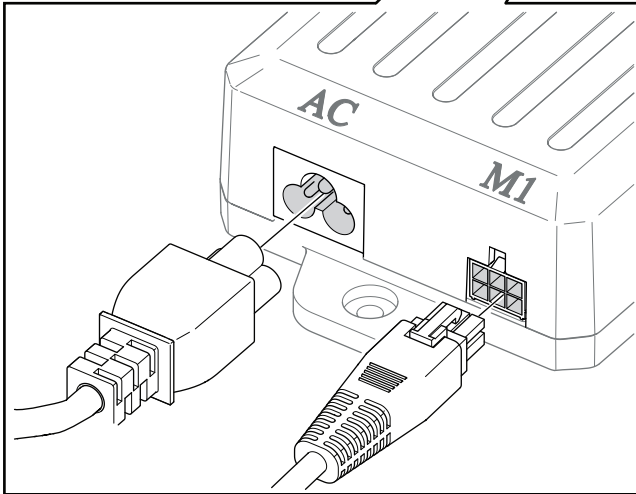
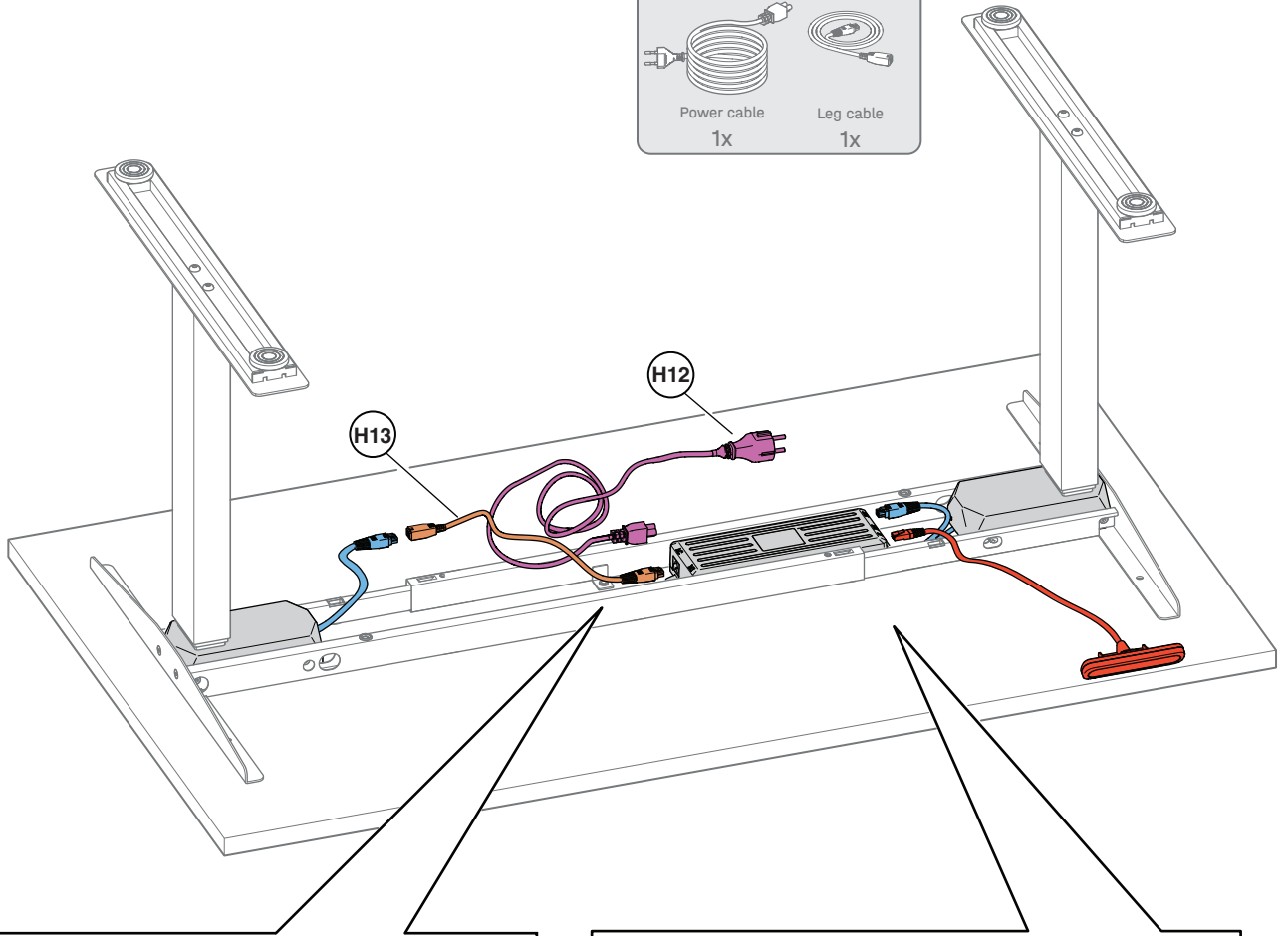
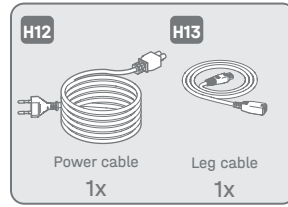
5



6



7



Underside view



---

## Step 1

The crossbar rails (D3) are compressed when delivered.

1. Loosen the set screws slightly and extend the inner rail.
  2. Attach rubber bushing (H6) and plastic screw guide bushing (H4) on the **thicker** part of the crossbar rail.
  3. Install rubber bushing (H7) and triangular screw clamp (H3) on the **thinner** side of the crossbar rail.
- 

## Step 2

1. Take the legs (D1) and lay them on a flat surface.
  2. Place a crossbar rail (D3) across the legs, ensuring the rubber bushings face upwards towards the table top.
  3. Attach the crossbar to the leg with four M6×12 screws (H1).
- 

## Step 3

1. Flip the assembly and place the second crossbar rail (D3), install with four M6×12 screws (H1).
- 

## Step 4

1. Install the side brackets (D2), each with two M6×10 screws (H2).  
Pay attention to the orientation of the side brackets.
2. Install the two feet by using four M8×14 screws (H5).

**Note! If you have a L-shaped desk, use the longer feet and side bracket on the deepest end of the table top.**

---

## Step 5

1. Adjust the width of the frame assembly by moving the legs closer together or farther apart.
  2. Place the columns in the middle of the table top, as illustrated in **A**.
  3. Make sure there is a 5-10cm gap between the frame and the edge of the table top, as shown in illustration **B**.
- 

## Step 6

1. Secure the tabletop to the frame, using the included tapping screws 5×20mm (H8).
  2. Use two tapping screws 5×20 (H8) to fix the control box (H10), and two 5×16 screws (H9) for the handset (H11).
- 

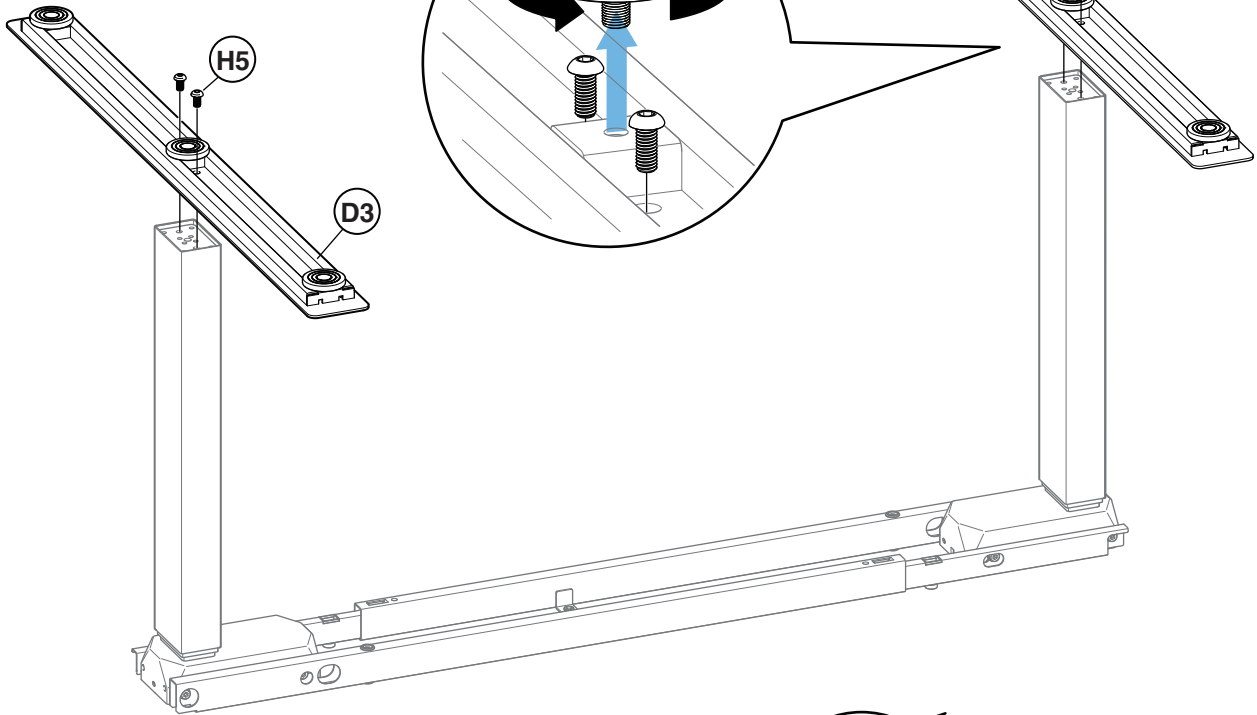
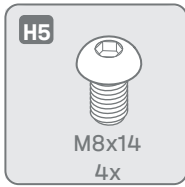
## Step 7

1. Connect the handset (H11) into the control box (H10) in port labelled **"HS"**.
2. Connect the leg cable which is nearest to the control box in port labelled **"M2"**.
3. Connect the second leg with the included leg cable (H13), and then into port labelled **"M1"** on the control box.
4. Plug the power cable (H12) into port labelled **"AC"** on the control box. Plug your desk into a electrical outlet.

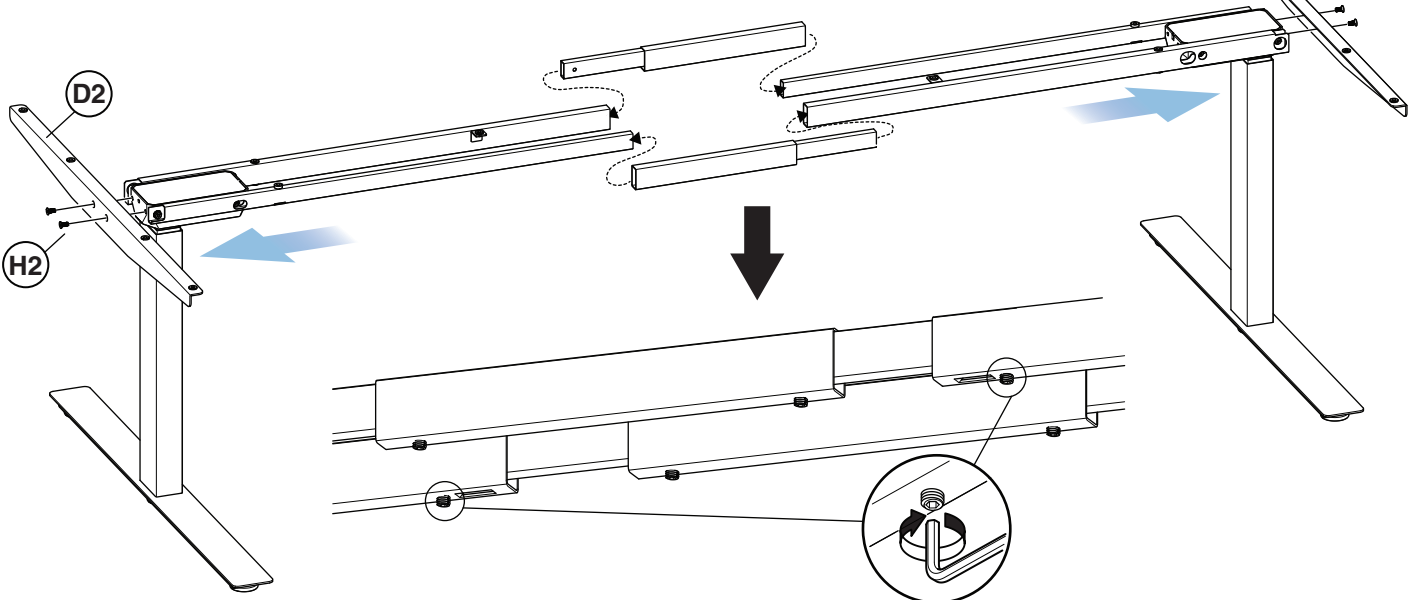
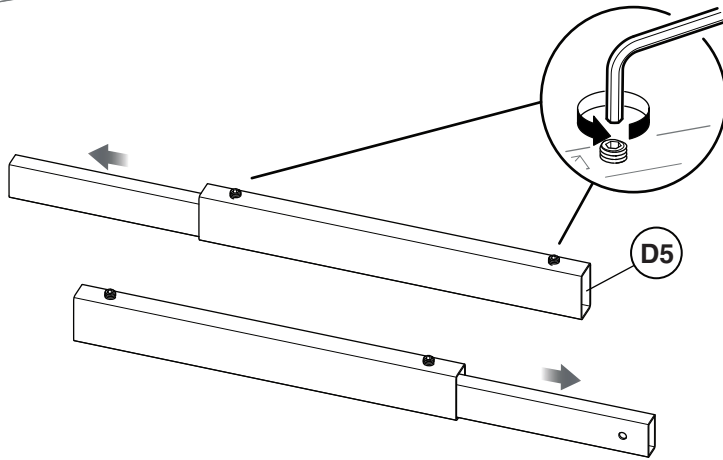
**Note! Before using your desk, a desk reset is required. See chapter 1 in your user manual for the handset.**

# 2-LEG TABLE 2400 MM

4

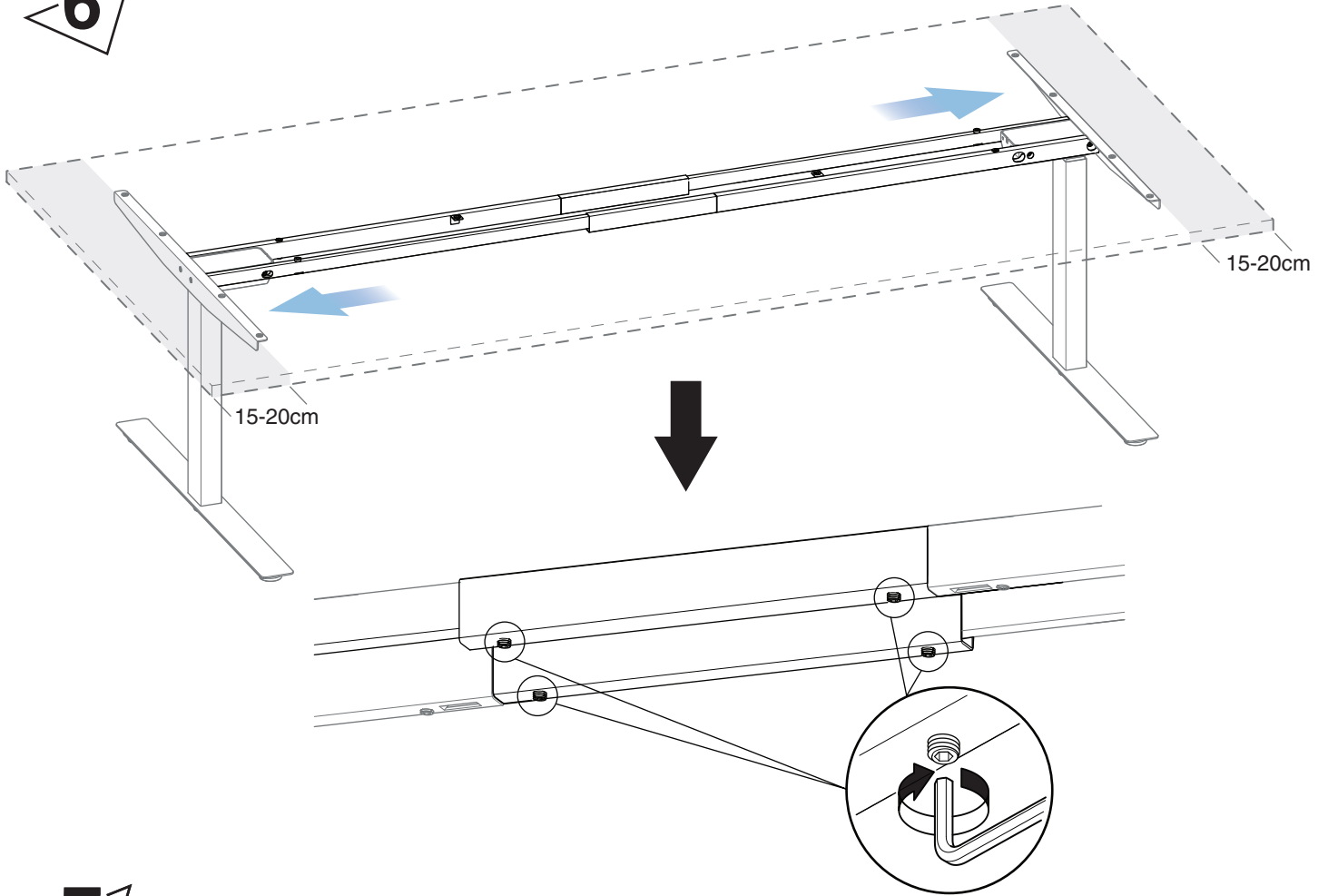


5

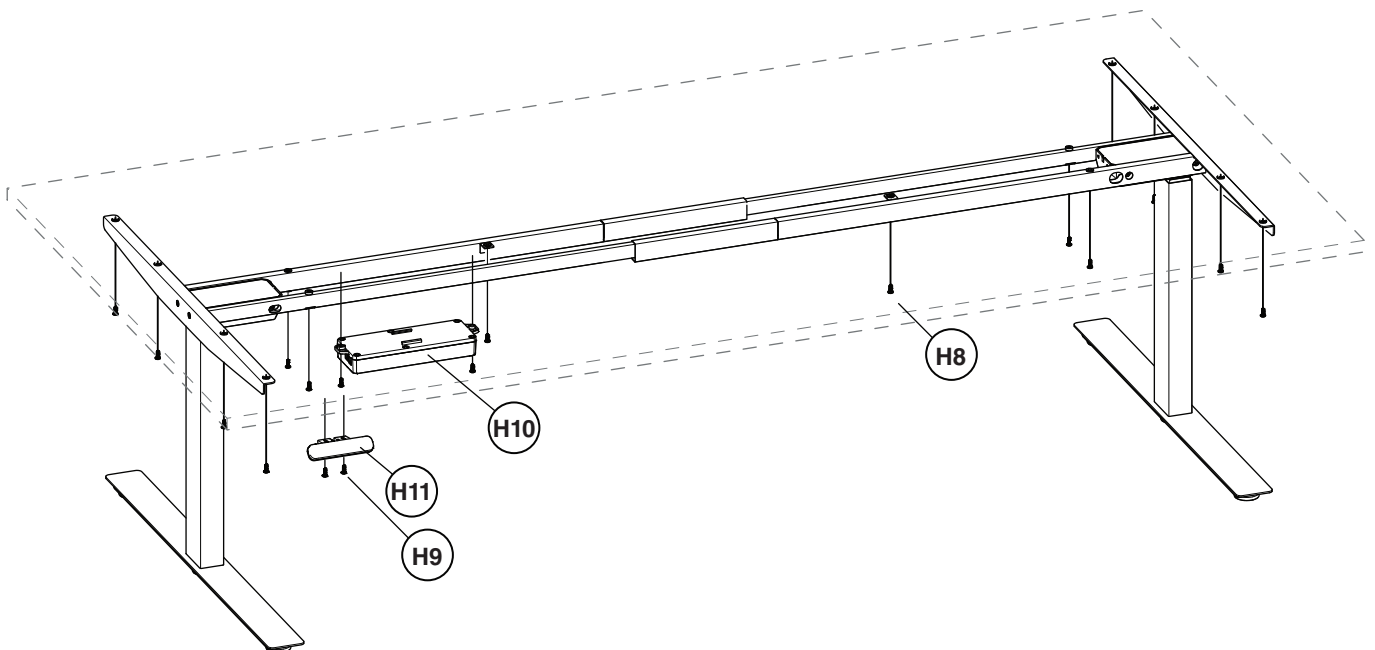
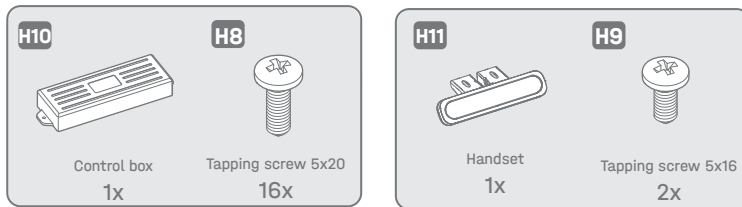


# 2-LEG TABLE 2400 MM

6

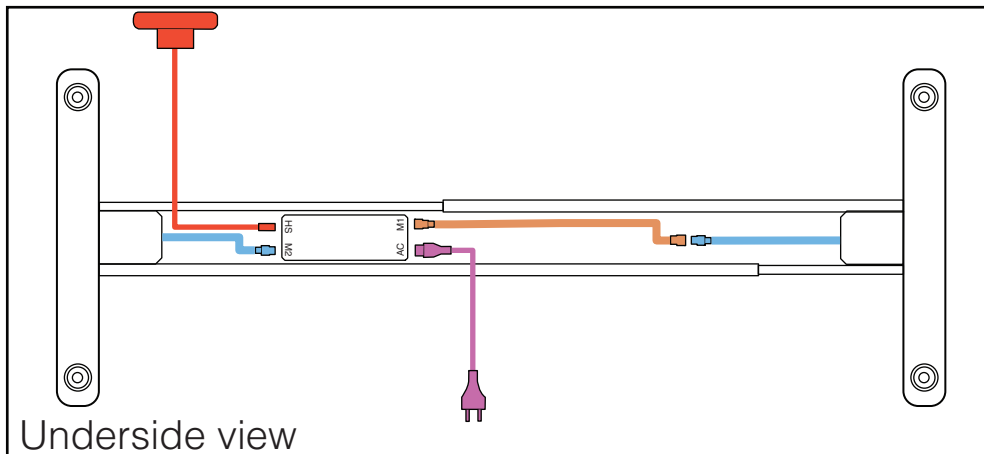
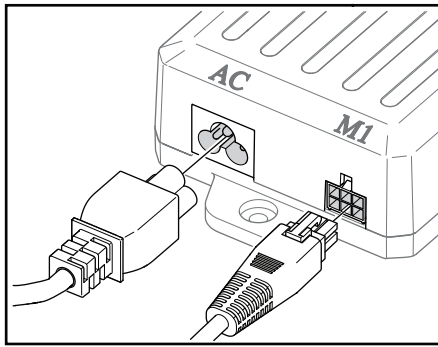
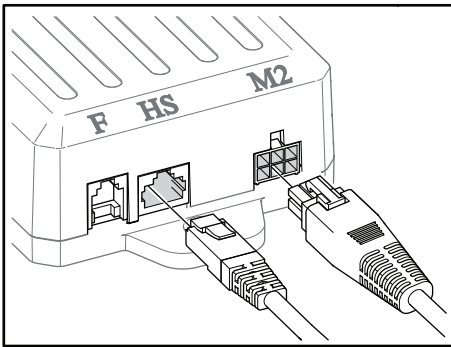
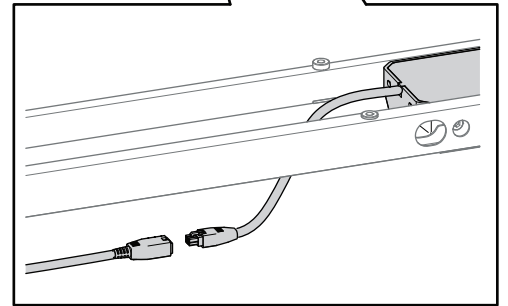
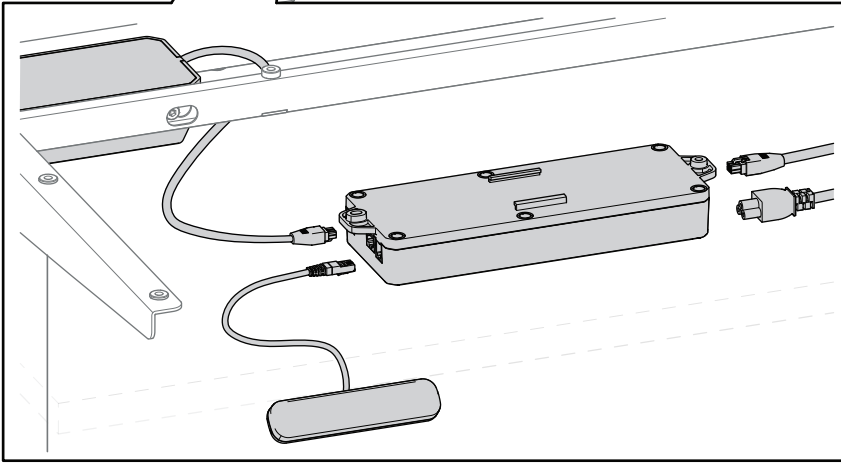
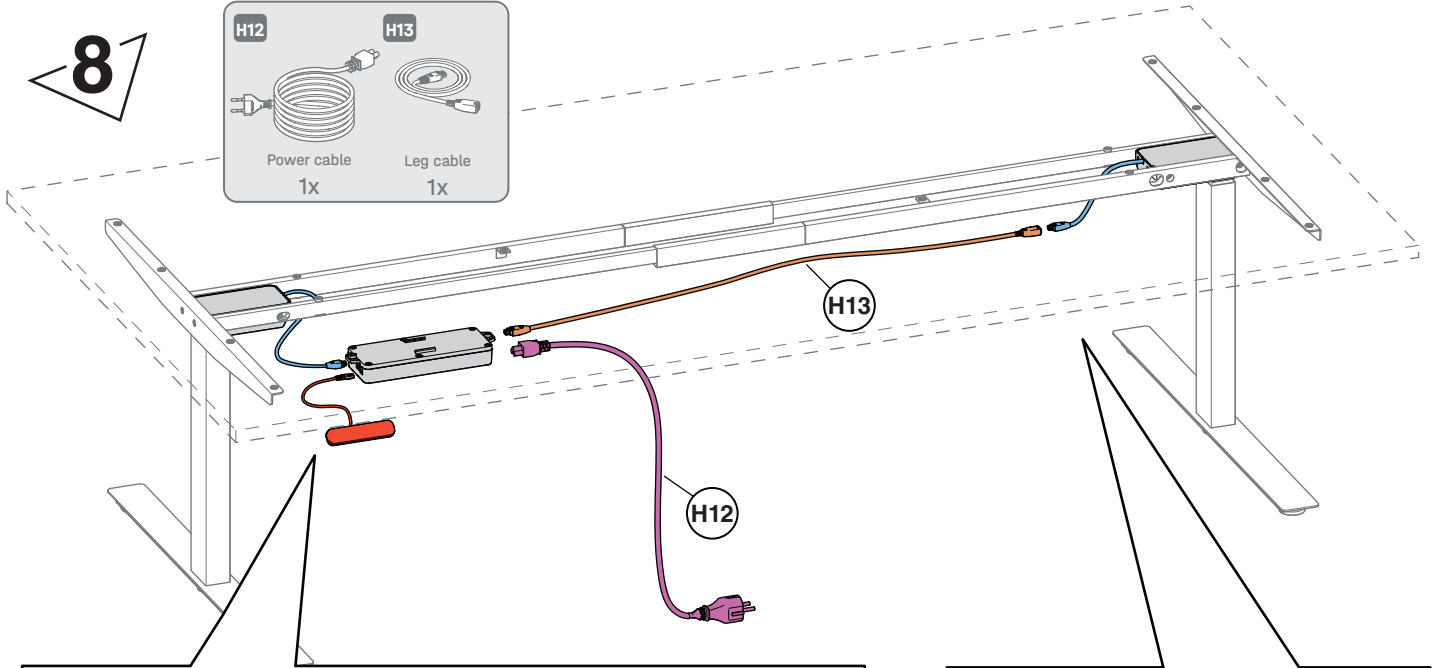
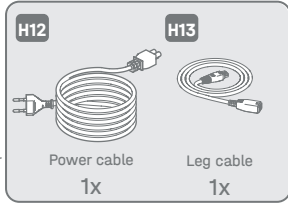


7



# 2-LEG TABLE 2400 MM

8



# Assembly instructions - 2 leg meeting table

English

---

## Step 1

The crossbar rails (D3) are compressed when delivered.

1. Loosen the set screws slightly and extend the inner rail.
2. Attach rubber bushing (H6) and plastic screw guide bushing (H4) on the **thicker** part of the crossbar rail.
3. Install rubber bushing (H7) and triangular screw clamp (H3) on the **thinner** side of the crossbar rail.

---

## Step 2

1. Take the legs (D1) and lay them on a flat surface.
2. Place a crossbar rail (D3) across the legs, ensuring the rubber bushings face upwards towards the table top.
3. Attach the crossbar to the leg with four M6×12 screws (H1).

---

## Step 3

1. Flip the assembly and place the second crossbar rail (D3), install with four M6×12 screws (H1).

---

## Step 4

1. Remove the two middle plastic feet glides from both feet. Install the two feet by using four M8×14 screws (H5).
2. Install the feet glides again.

---

## Step 5

1. Flip the frame to upright position. Install the side brackets (D2), each with two M6×10 screws (H2).
2. The extension bars (D5) are compressed when delivered. Loosen the set screws slightly and extend the inner rail.
3. Grab one leg (D1) and pull the frame assembly apart, while another person is holding the other half of the assembly.
4. Insert one extension bar on each side of the desk, and tighten the set screws on the crossbar rails.

---

## Step 6

1. Adjust the width of the frame assembly by moving the legs closer or farther apart. The total width of the frame should be the total width of the table top minus approx. 40cm.
2. Slide the thicker part of the extension bar so it sits side by side with the thicker part of the crossbar rails.
3. Tighten all four set screws on the extension bars.

---

## Step 7

1. Secure the tabletop to the frame, using the included tapping screws 5×20mm (H8).
2. Use two tapping screws 5×20 (H8) to fix the control box (H10). Place it between the two crossbars, near one of the legs so the leg cable have sufficient length to the control box.
3. Use two 5×16 screws (H9) to fix handset (H11).

---

## Step 8

1. Connect the handset (H11) into the control box (H10) in port labelled "HS".
2. Connect the leg cable which is nearest to the control box in port labelled "M2".
3. Connect the second leg with the included extension leg cable (H13), and then into port labelled "M1" on the control box.
4. Plug the power cable (H12) into port labelled "AC" on the control box. Plug your desk into a electrical outlet.

**Note! Before using your desk, a desk reset is required. See chapter 1 in your user manual for the handset.**