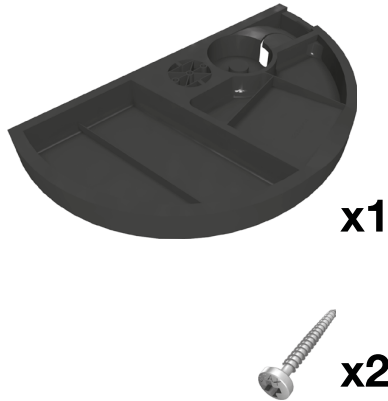


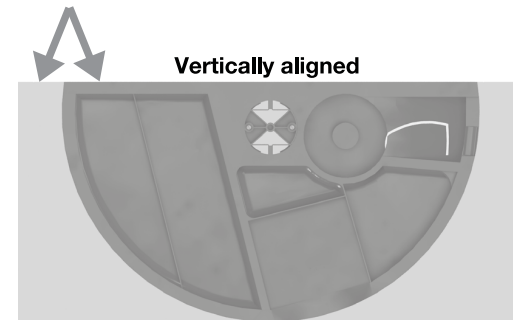
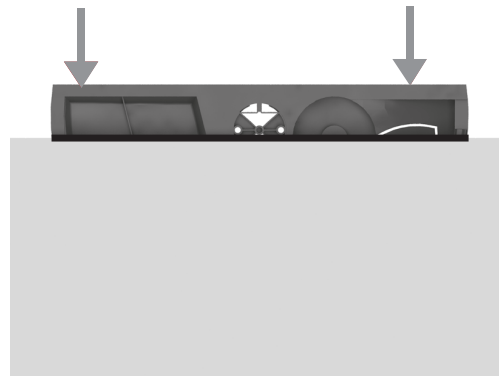
Store Pen- & Gadget box

CONTENT:



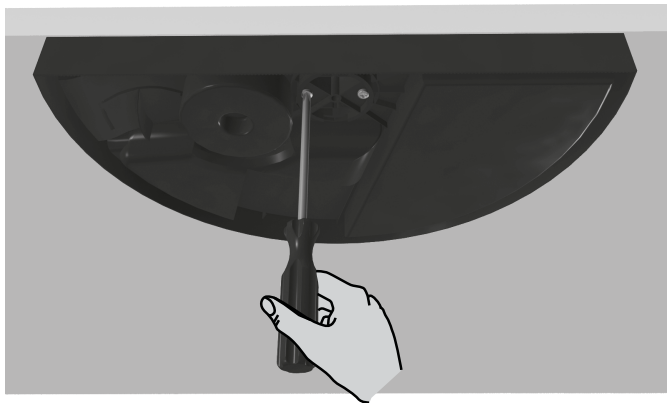
1 ALIGN VERTICALLY

Position and align the edge of the table with the edge of the Store Pen- & Gadget box, (as seen in the illustrations below).



2 ATTACH

Using two wood screws, attach the Store Pen- & Gadget Box to the table while maintaining the alignment.



3 ROTATE THE BOX

Rotate the box to ascertain that it is working as intended. Once assured it does, office accessories can be put inside.

